

#### Kit Contents

Description	Part No	Pcs
Shock absorber	KT 790	1
Screw M6x12	05404-01	2
Screw M6x14	00382-16	1
Screw M8x40	01046-21	1
Screw M8x50	01046-25	1
Bracket reservoir	03102-05	1
Bracket	01082-14	1
Washer	21617-16	2
Sticker Memo notes	01180-01	1
Sticker set Öhlins		1
Owner's Manual	07241-02	1

#### 👁 Note!

Please note that there can be small differences between your product and the images in these instructions.

#### 👁 Note!

Please note that during storage and transport, especially at high ambient temperature, some of the oil and grease used for assembly may leak and stain the packaging. This will not cause damage to the product, wipe off the excessive oil or grease with a cloth.

#### 👁 Note!

Before you install this product, check the kit contents. If anything is missing, please contact an Öhlins dealer.

#### ⚠ Warning!

Before you install this product, read the Öhlins Owner's manual. This product is an important part of the vehicle and the vehicle stability.

## Shock absorber for KTM 790 Duke

# KT 790

## Mounting Instructions

# MOUNTING INSTRUCTIONS

## **⚠ Warning!**

*We strongly recommend to let an Öhlins dealer install this product.*

## **⚠ Warning!**

*If you work with a lifted vehicle, make sure that it is safely supported to prevent it from tipping over.*

## **👁 Note!**

*When you work with this product, see the vehicle service manual for vehicle specific procedures and important data.*

## **👁 Note!**

*Before you install this product clean the vehicle.*

**1.**

Put the motorcycle on a work stand so that the rear wheel barely touches the ground.

**2.**

Remove the plastic plug on the left hand side to uncover the upper shock absorber screw.

**3.**

Remove the lower shock absorber screw.

**4.**

Loosen the screw / nut at the right hand side of the lower shock absorber mount 0.5-1 turn by turning it clockwise (left hand thread).

**5.**

Remove the upper shock absorber screw and shock absorber.

**6.**

Mount the Öhlins shock absorber with the hose facing down. Mount the upper and lower screws, but do not tighten yet.

**7.**

Lower the vehicle so that the suspension is slightly compressed. Tighten the screw / nut at the right hand side of the lower shock absorber mount by turning it anti-clockwise (left hand thread). Make sure that the long screw does not tighten at the same time. Then tighten the long screw and the upper screw. Refit the plastic plug.

**8.**

Remove the left hand side passenger foot rest.

**9.**

Mount the washers, bracket and foot rest back (in that order) using supplied screws; M8x40 in front and M8x50 in rear.

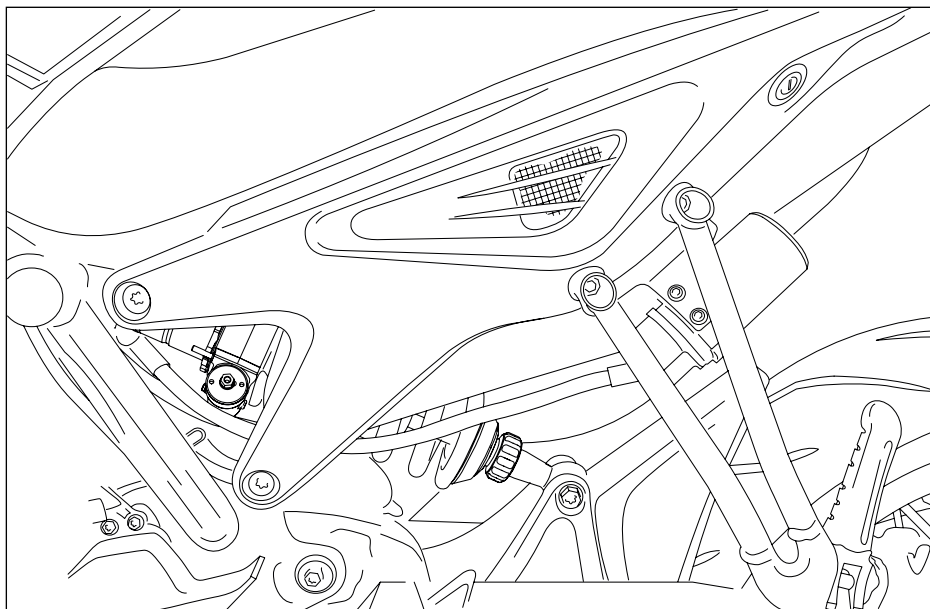
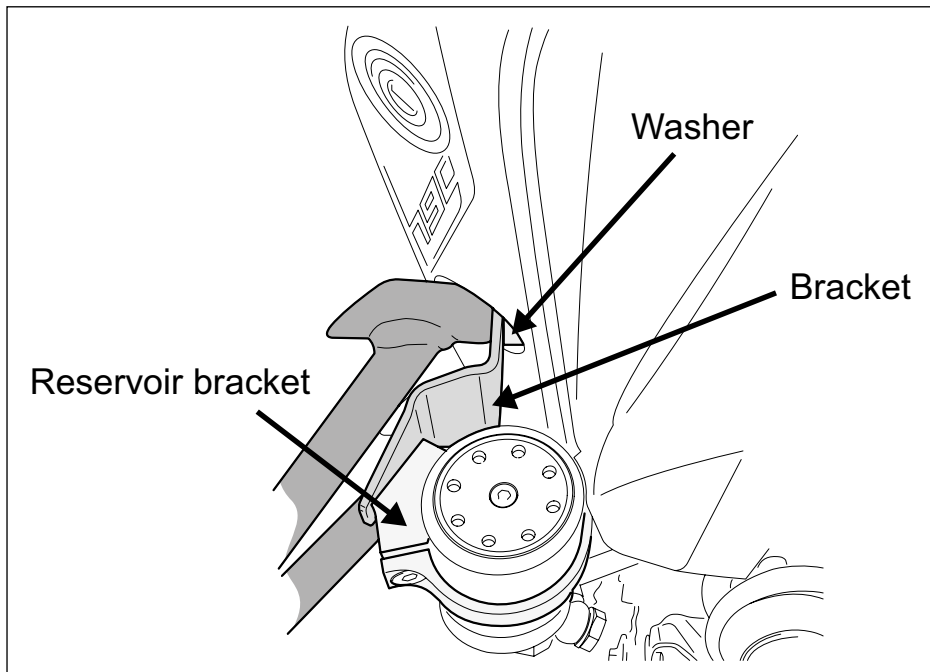
**10.**

Mount the reservoir bracket to the bracket using supplied screws M6x12. The clamp screw (M6x14) should face downwards.

**11.**

Slide the reservoir into the reservoir bracket and rotate it so the hose is in a good position. Clamp on the big diameter.

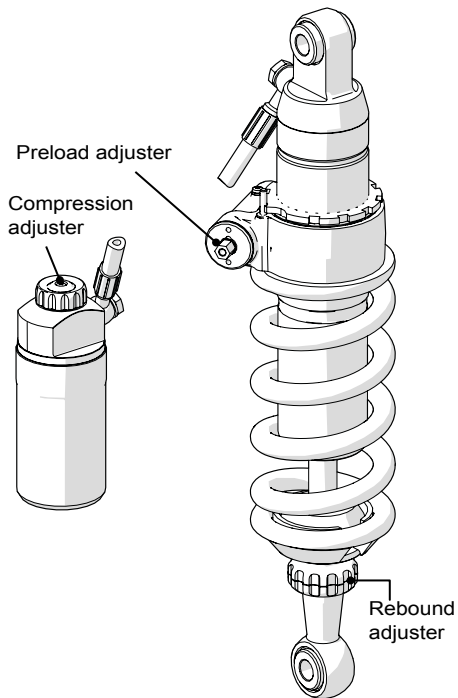
# MOUNTING INSTRUCTIONS



# ADJUSTMENTS

## ⚠ Warning!

Before you ride/drive, always make sure that the setup is according to the recommended setup data. Read about adjustments and setting up in the Öhlins Owner's Manual before you make any adjustments. Contact an Öhlins dealer if you have any questions about setting up.



# SETUP DATA

Length	387	mm
Stroke	55	mm
Spring (part no.)	01092-54	
Spring rate	140	N/mm
Spring free length	170	mm
Spring preload	8	mm
Compression	10	clicks
Rebound	16	clicks

Recommended free sag and ride height		
R1-R2		mm
R1-R3	40	mm
F1-F2		mm
F1-F3		mm

Öhlins products are subject to continuous improvement and development, therefore, although these instructions include the most up-to-date information available at the time of printing, minor updates may occur.

To find the latest information contact an Öhlins distributor. Please contact Öhlins if you have any questions regarding the contents in this document.

Part no. MI\_KT790\_0  
Issued 2018-09-21

© Öhlins Racing AB. All rights reserved. Any reprinting or unauthorized use without the written permission of Öhlins Racing AB is prohibited.

Öhlins Racing AB  
Box 722  
S-194 27 Upplands Väsby, Sweden  
Phone +46 8 590 025 00  
fax +46 8 590 025 80



[www.ohlins.com](http://www.ohlins.com)