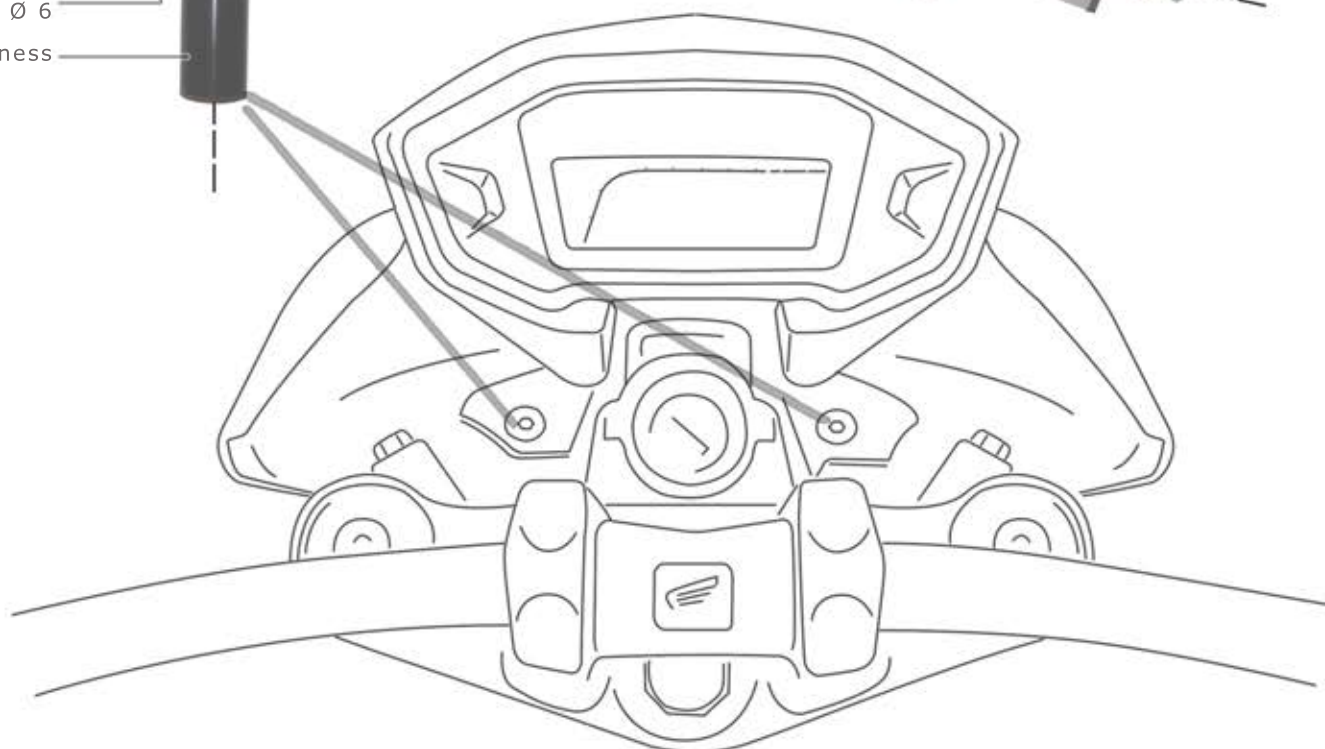
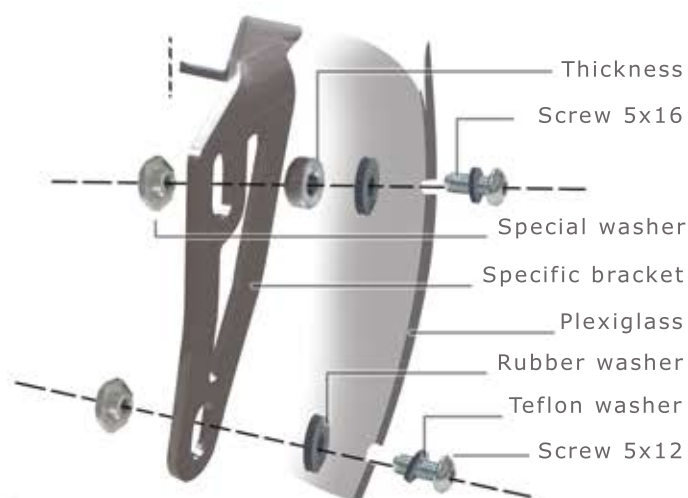


**MOUNTING PROCEDURE****KIT WINDSHIELD  
HONDA CB500-F '16****HCF5300-16****KIT**

X1. PLEXIGLASS  
 X2. SPECIFIC BRACKETS  
 X4. SPECIAL WASHER  
 X2. SCREW "ROUND HEAD" 5X16  
 X2. SCREW "ROUND HEAD" 5X12  
 X2. SCREW "ROUND HEAD" 6X45  
 X2. THREAD  
 X2. THICKNESS  
 X4. TEFLON WASHER Ø 5  
 X4. RUBBER WASHER  
 X2. WASHER Ø 6 "LARGE"

[WWW.BARRACUDAMOTO.COM](http://WWW.BARRACUDAMOTO.COM)**FIXING PROCEDURE:**

- APPROACH THE THREAD WITH THE BRACKETS AND LOCK INTO THE HIGHLIGHTED POINTS;
- FIND THE RIGHT POSITION OF WINSHIELD ON THE BRACKES FIXED;
- PROCEED TO THE LOCK ALL SCREWS LIKE THE SCHEME;

**FIXING MOTORBIKE****FIXING WINDSHIELD**

NOTE: DON'T LOCK TOO MUCH TO AVOID PLEXIGLASS BROKEN.