

MOUNTING PROCEDURE

KIT WINDSHIELD BMW R-NINET

BT1300

WWW.BARRACUDAMOTO.COM

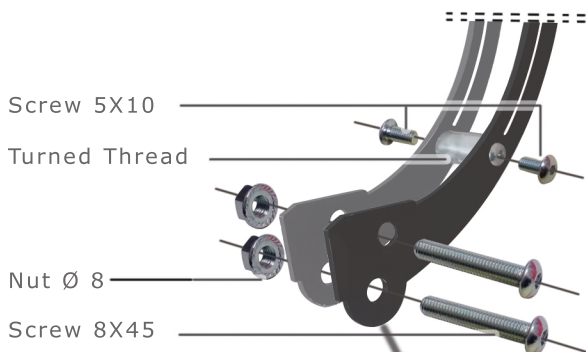
KIT

- X1. PLEXIGLASS
- X2. SPECIFIC BRACKET
- X4. SCREW "ROUND HEAD" 5X14
- X4. SCREW "ROUND HEAD" 5X16
- X4. SCREW "ROUND HEAD" 5X10
- X4. SCREW "ROUND HEAD" 8X45
- X2. TURNED THREAD
- X4. AUTOLOCK NUT Ø 5
- X2. NUT Ø 8
- X4. WASHER Ø 5 LARGE
- X4. TEFLON WASHER Ø 5
- X6. RUBBER WASHER
- X2. SQUARE STICKERS

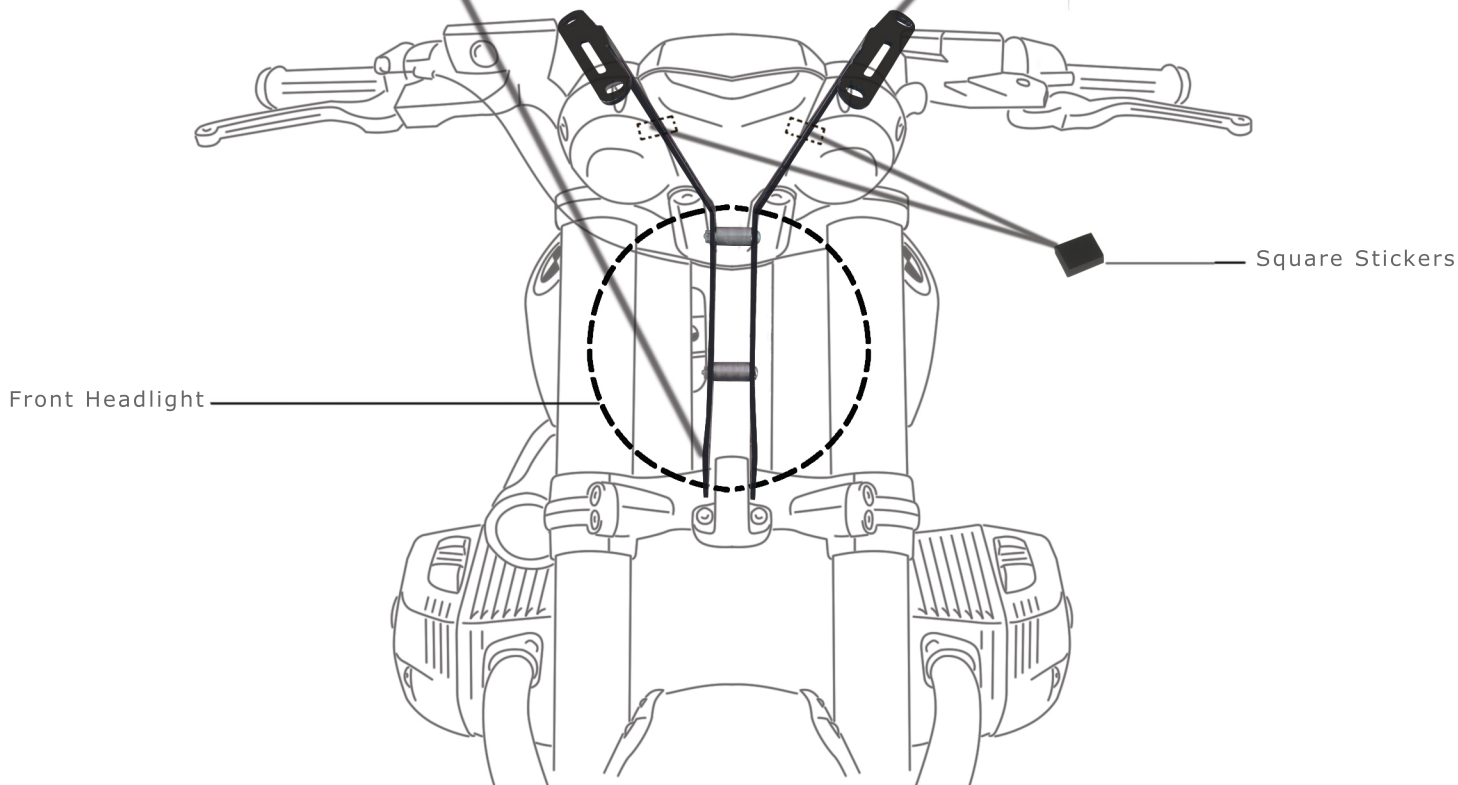
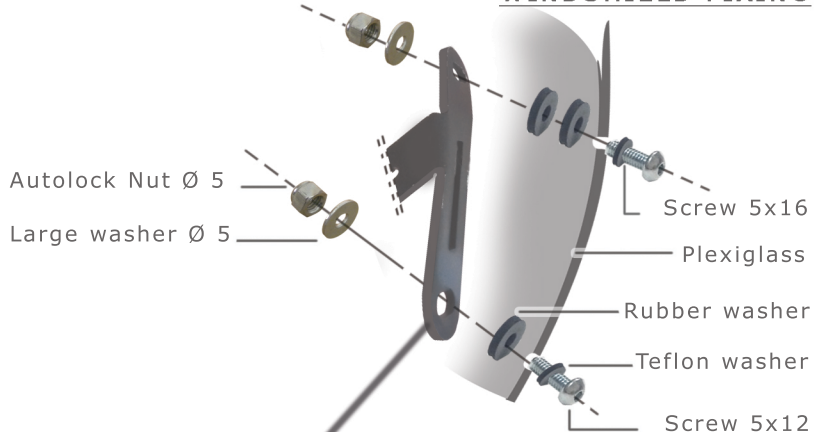
MOUNTIGN PROCEDURE:

- PRE-ASSEMBLING THE SUPPORT BRACKET OF WINDSHIELD LOCKING WITH SCREW 5X10 AND THE TURNED THREAD INTO THE KIT LIKE IN THE SCHEME;
- REMOVE THE ORIGINAL LIGHT AND POSITION THE BRACKET ALREADY ASSEMBLED WITH THE 8X45 CREWS, AFTER PUT AGAIN THE LIGHT IN THE ORIGINAL POSITION;
- PUT THE SQUADRE STICKERS TO PROTECT THE WINDSHIELD BEHIND THE BRACKET LIKE PHOTOS, ON THE POINTS LIGHTING

MOTORCYCLE FIXING



WINDSHIELD FIXING



NOTE: FIX THE WINDSHIELD ONLY AFTER FIX THE BRACKETS.
DON'T LOCK TOO MUCH TO AVOID POSSIBLE BROKEN OF PLEXIGLASS.